



1f track

fantasia®
deco collection

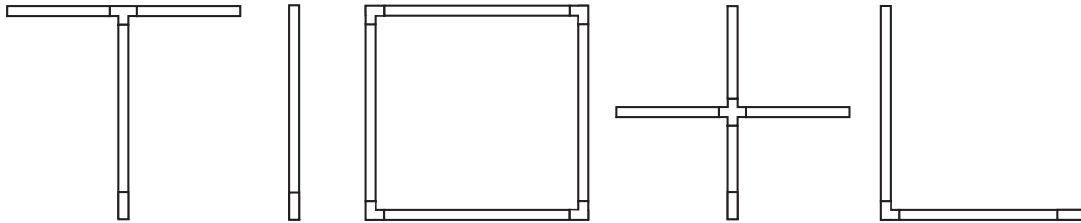
INTRODUCTION

Track lighting is the ideal lighting solution for projects where flexibility is key.

The rail can be mounted on the ceiling or wall and the fixtures can be freely positioned along the entire length.

Combine spotlights and pendants as desired, create custom layouts* for a result that is both functional and aesthetically pleasing.

*custom layouts



1f track

TR0101B: 93cm black

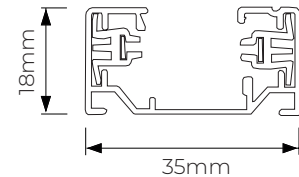
TR0101W: 93cm white

TR0102B: 193cm black

TR0102W: 193cm white

For custom lengths please ask the vendor for more information.

Fantasia tracks are made according to the EUTRAC standard.



FEEDER

The feeder provides power to the track.

The feeder is placed at the start or end of a track.

Always be mindful of the earth wire position.

Installation instructions:



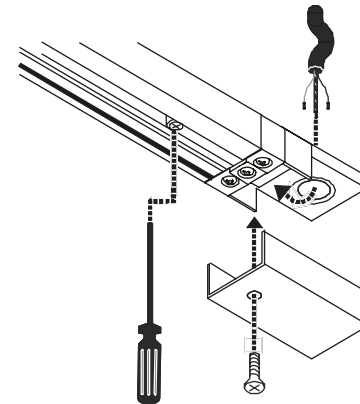
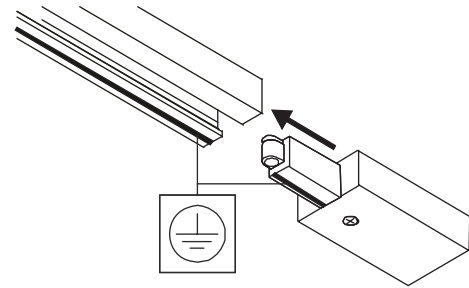
TR0118B
TR0118W

earth wire left



TR0119B
TR0119W

earth wire right



CONNECTOR

Connectors let you connect 2 tracks together in a straight line.



TR0111B
TR0111W

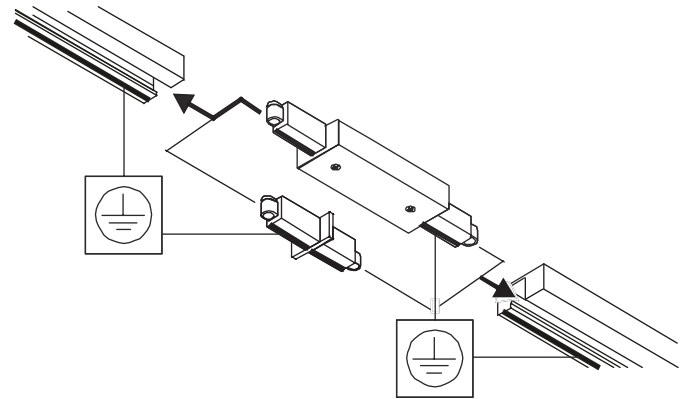


TR0112B
TR0112W

Can be used as a central feeder.

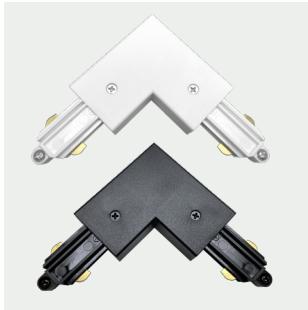
Always be mindful of the earth wire position.

Installation instructions:



L-CONNECTOR

The L-connector lets you connect tracks together in a L shape.
Can be used as a central feeder.



TR0113B
TR0113W

earth wire outside

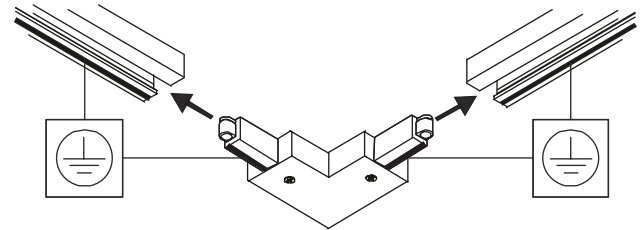


TR0114B
TR0114W

earth wire inside

Always be mindful of the earth wire position.

Installation instructions:



FLEX CONNECTORS

The Flex connector lets you connect 2 tracks together in a L shape. These connectors are perfect for track installations with angles higher or lower than 90°. Can be used as a central feeder.

Always be mindful of the earth wire position.



TR0125B
TR0125W



TR0126B
TR0126W

X-CONNECTOR

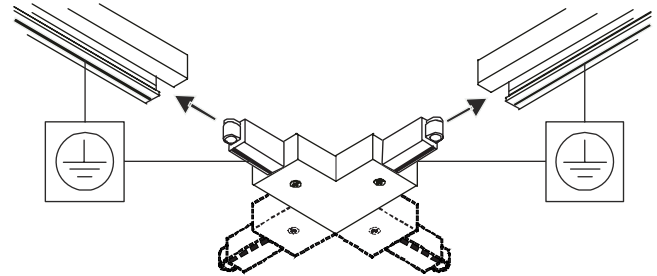
The X-connector lets you connect tracks together in a X shape. Can be used as a central feeder.



TR0117B
TR0117W

Always be mindful of the earth wire position.

Installation instructions:



T-CONNECTOR

The T-connector lets you connect tracks together in a T shape.
Can be used as a central feeder.

Always be mindful of the earth wire position.



TR0115B
TR0115W

earth wire inside



TR0116B
TR0116W

earth wire outside

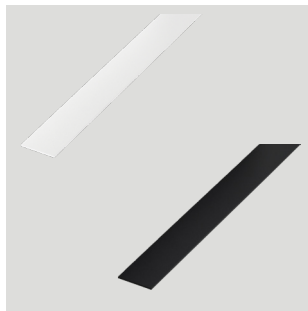
EXTRAS

Installation instructions:

The end cap closes off the track.
The safety cover protects against foreign objects being inserted into the track.

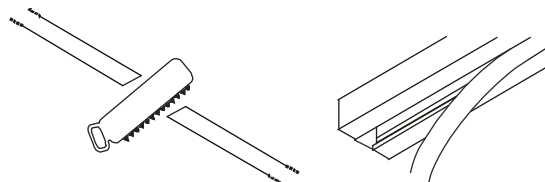
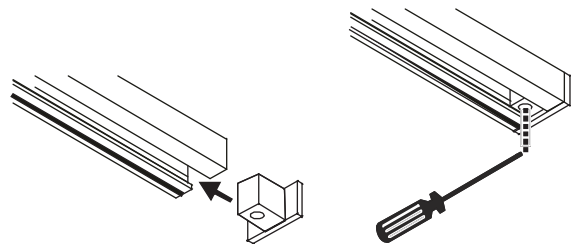


TR0120B
TR0120W



TR0214B
TR0214W

The safety cover is sold per meter.
Cut it to the correct size and click it into the track.
Covers are required for installations on walls, providing protection against insertion of foreign objects.



TRACK SPOTS

oryx

TR01360B/G/W

FOR GU10 MR11 BULBS
BULB NOT INCLUDED



oryx

TR01362B/G/W

FOR GU10 MR11 BULBS
BULB NOT INCLUDED



TRACK SPOTS

taboo

TR0135B/BR/G/DG/W

FOR GU10 BULBS

BULB NOT INCLUDED



TRACK SPOTS

oyo

TR0170B/W/BR

LEDCHIP INCLUDED

7,5 WATT / 620 LUMEN / 2700K



TRACK SPOTS

babu

TR0153B/BR/G/DG/W

FOR E27 BULBS

BULB NOT INCLUDED



TRACK SPOTS

babar

TR0151B/BR/G/DG/W

FOR GU10 BULBS

BULB NOT INCLUDED



TRACK SPOTS

babar

TR0152B/BR/G/DG/W

FOR GU10 BULBS

BULB NOT INCLUDED



TRACK SPOTS

pulse

TR0160B/W

AR111 BULB INCLUDED

12,4 WATT / 650-1386 LUMEN / 2700K



lithium

TR0140B/W

LEDCHIP INCLUDED

12 WATT / 858 LUMEN / 2700K

TR0141B/W

LEDCHIP INCLUDED

12 WATT / 858 LUMEN / 2700K
DIM TO WARM



TRACK SPOTS

xzibit

TR0133B

FOR GU10 BULBS

BULB NOT INCLUDED



triton

TR0132B/W/BR

FOR GU10 BULBS

BULB NOT INCLUDED



PENDANTS

Most pendants with E27, E14, GU10 or G9 bulbs can be installed on a track.

Remove the original canopy and replace it with a track adapter.

Max 2,5 kg per adapter.
Max 5 kg per meter track.



TR0123B
TR0123W



3433036

3433046

3433026

uonjʌ

3403661

njko

3403620

3403648 +
CL340363X200

3403610

DJISO

3432102

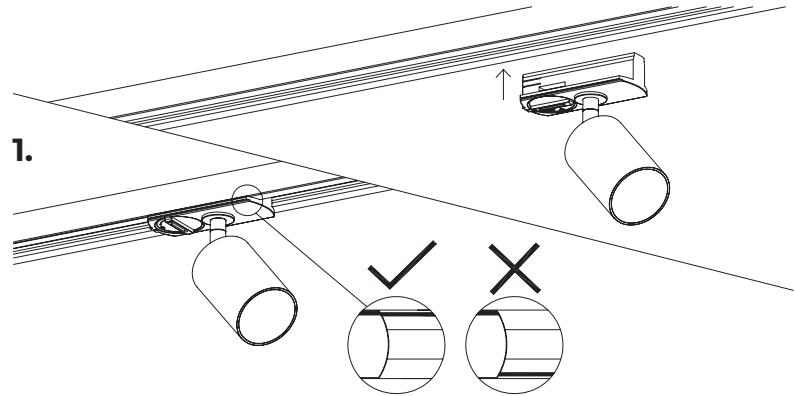
3432104

toqoʌ

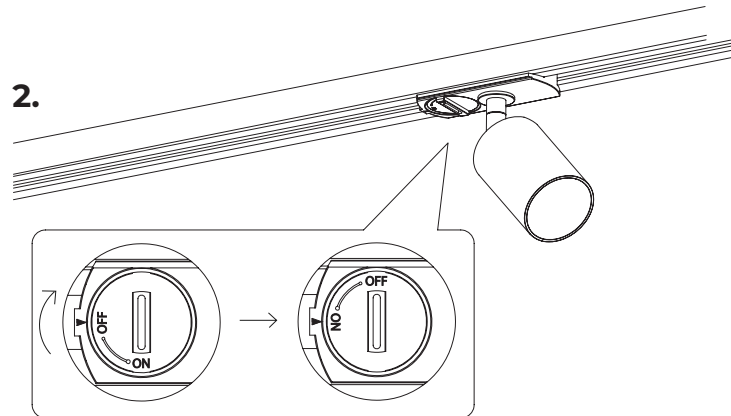


TRACK SPOT INSTALLATION

1. When installing trackspots and pendants make sure the earth wire position of the track lines up on the track adapter. Push the track adapter into the track until you hear it click into place.

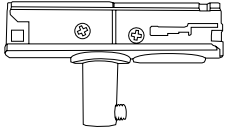


2. Once correctly installed, turn the trackspot on by rotating the switch with your fingers to the on position. If you encounter resistance during the rotation, do not force it! Instead check if the spot is correctly installed according to the position of the earth wire on the track and adapter.

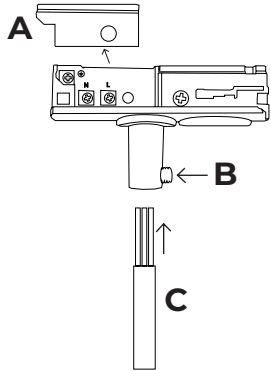


PENDANT INSTALLATION

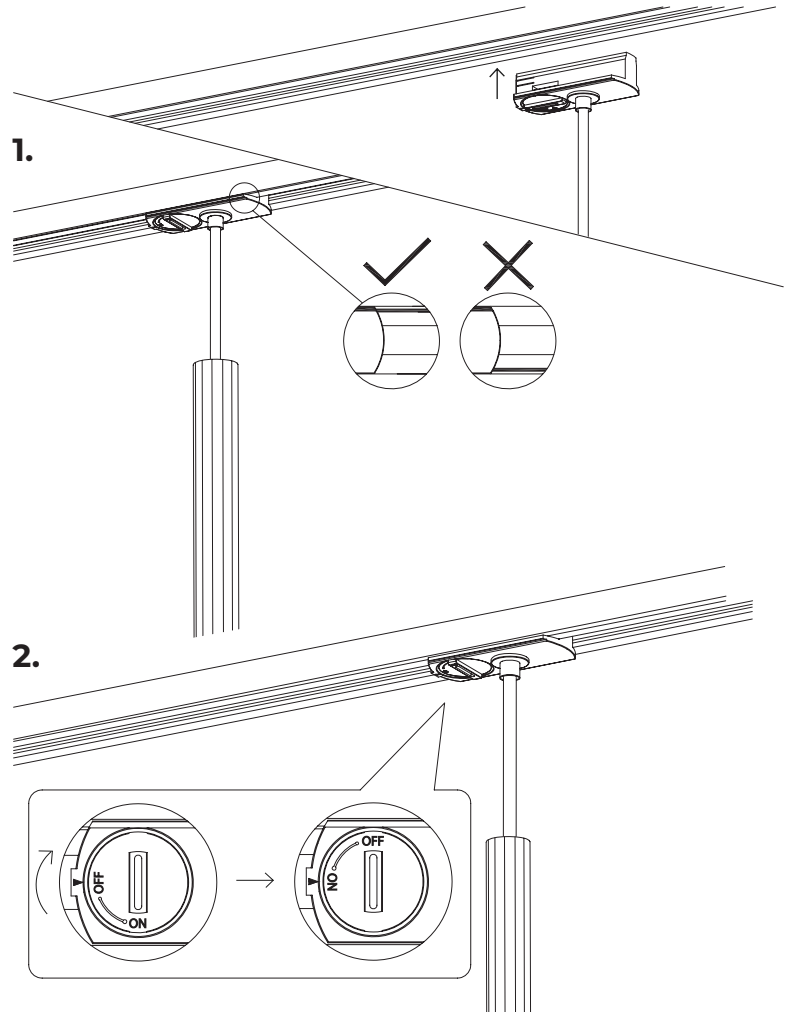
Installing a pendant on a track adapter:



Remove the plastic cover **(A)** to access the copper connectors and loosen the strain relief **(B)**.



Once the power cable **(C)** has been installed correctly (L - N - EARTH), tighten the strain relief **(B)** and reinstall the cover **(A)** on the adapter.





deco collection

Designed in Belgium - www.fantasia.be
Torhoutsesteenweg 437, 8400 Oostende