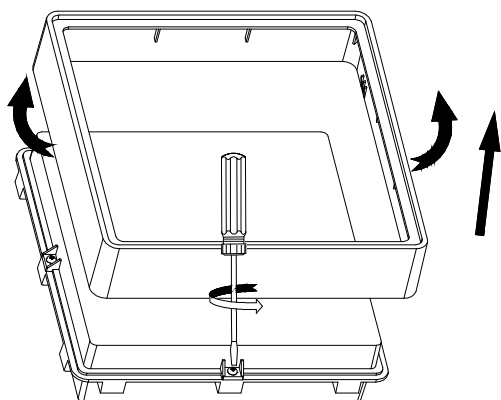
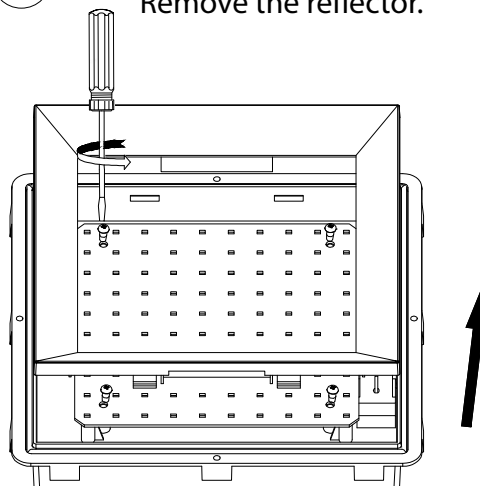


- ① Remove the cover.  
Loosen the screws on the diffuser and open it.



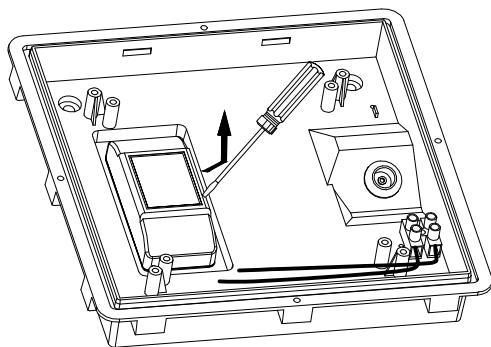
TOOL Screwdriver

- ② Loosen the screws on the LED board.  
Remove the reflector.



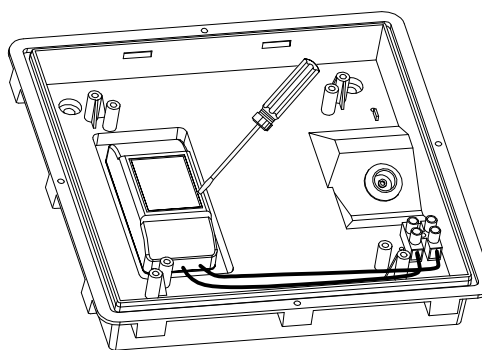
TOOL Screwdriver

- ③ Take out the driver.  
Remove the red and black + blue and brown wires from the driver.



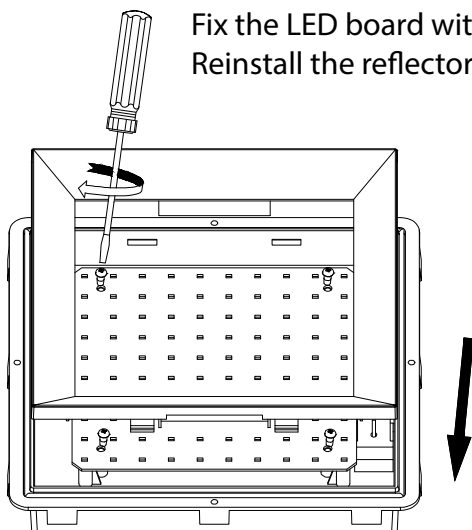
TOOL Screwdriver

- ④ Change the driver.  
Reconnect the red and black + blue and brown wires to the driver.



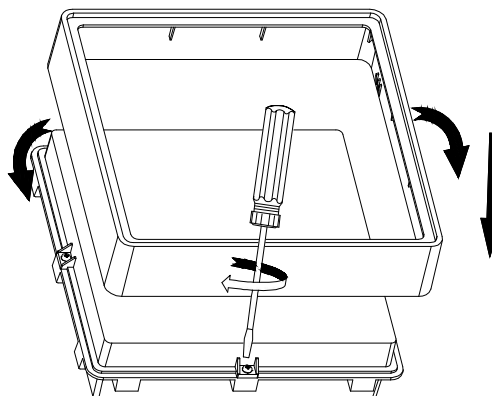
TOOL Screwdriver

- ⑤ Fix the LED board with screws.  
Reinstall the reflector.



TOOL Screwdriver

- ⑥ Fix the diffuser with screws and click the cover in place.



TOOL Screwdriver