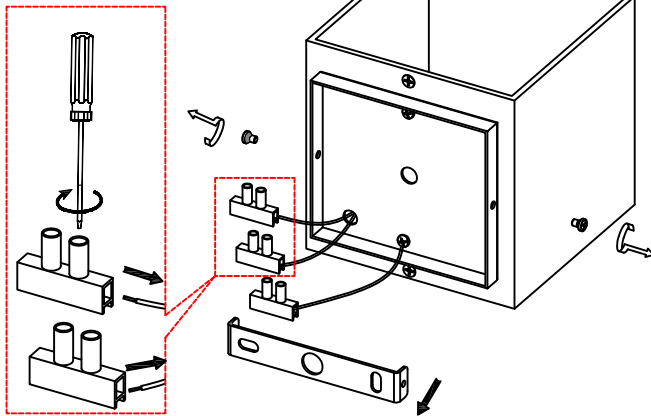
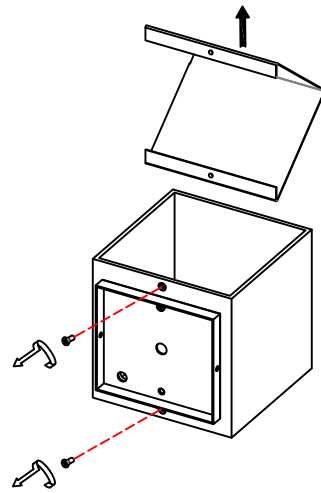


1. Loosen the screws on the canopy and take off the bracket.
2. Disassemble the terminals connecting the blue and brown wires



3. Loosen the two countersunk screws at the back.
4. Take out the bending reflector from the box.



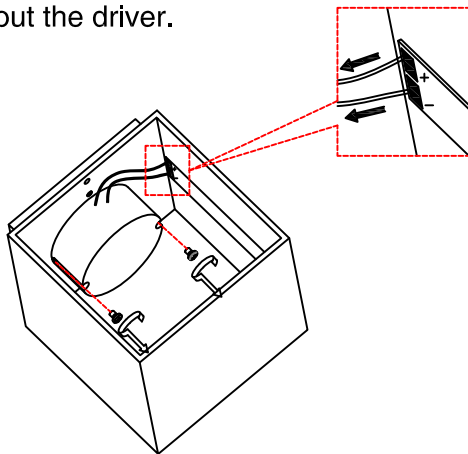
TOOL

Screwdriver

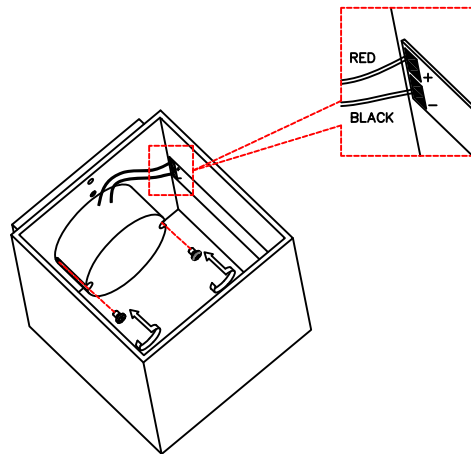
TOOL

Screwdriver

5. Desoldering the red and black wires on the PCB inside the square frame.
6. Loosen the two screws of the driver and take out the driver.



7. Change a new driver. Re-weld the red & black wires to the PCB(+,-).
8. Fix the driver inside the square frame.



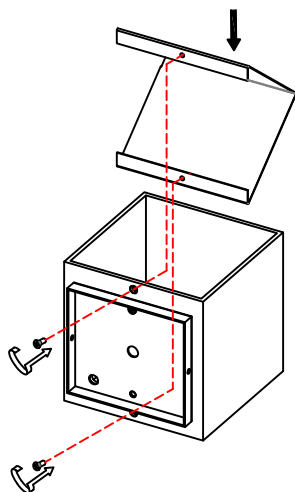
TOOL

Screwdriver  
Electric soldering iron

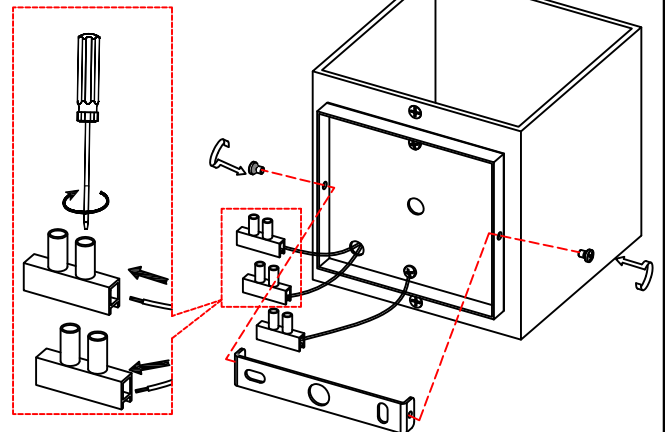
TOOL

Screwdriver  
Electric soldering iron

9. Re-install the bending reflector into the square frame.



10. Connect the brown & blue wires to the terminals(L,N).
11. Fix the bracket



TOOL

Screwdriver

TOOL

Screwdriver