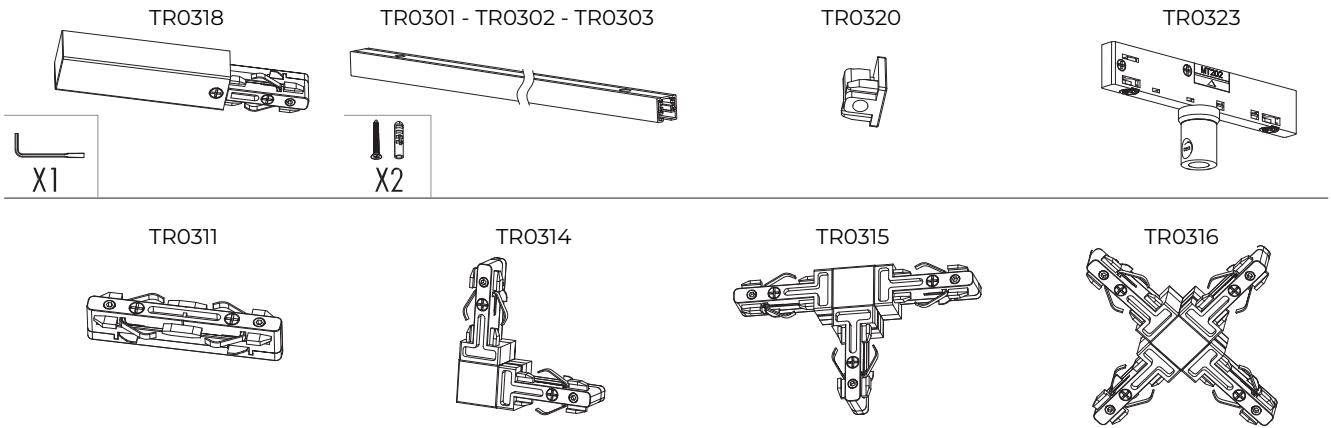
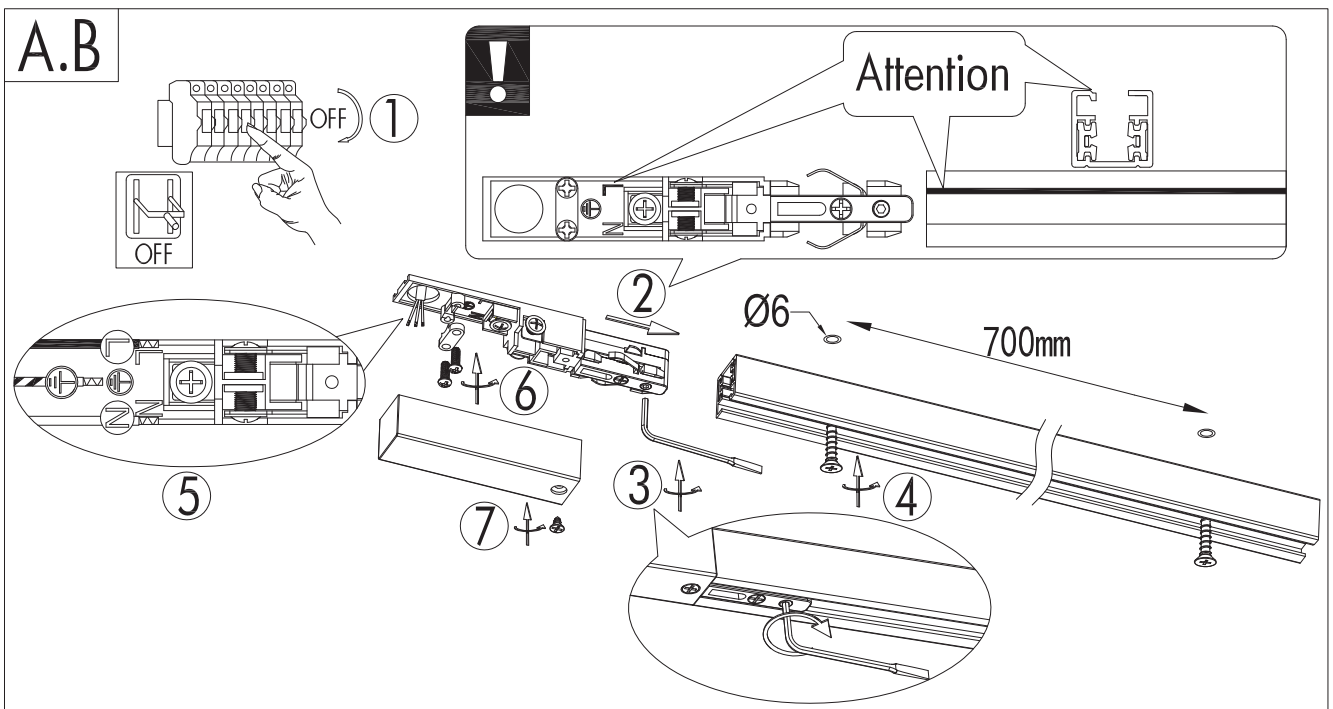
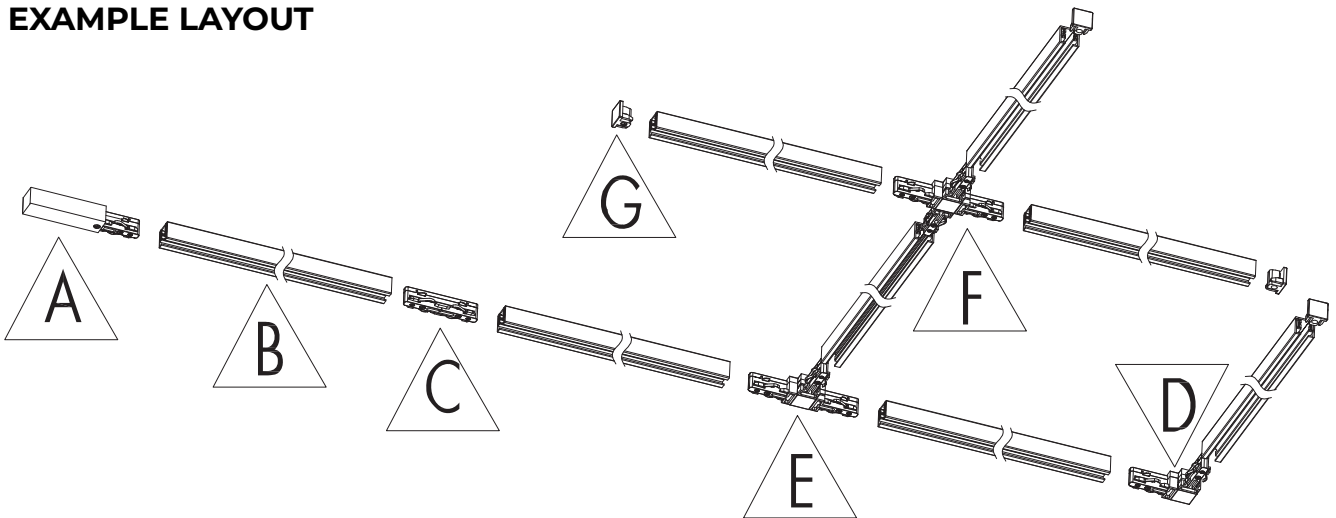


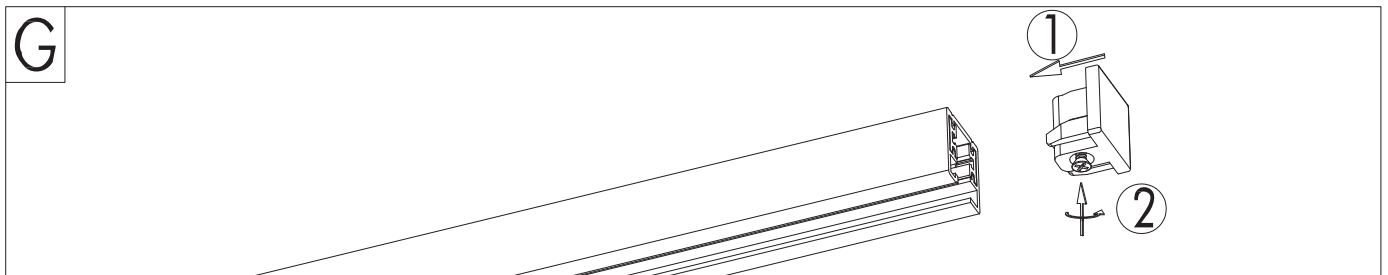
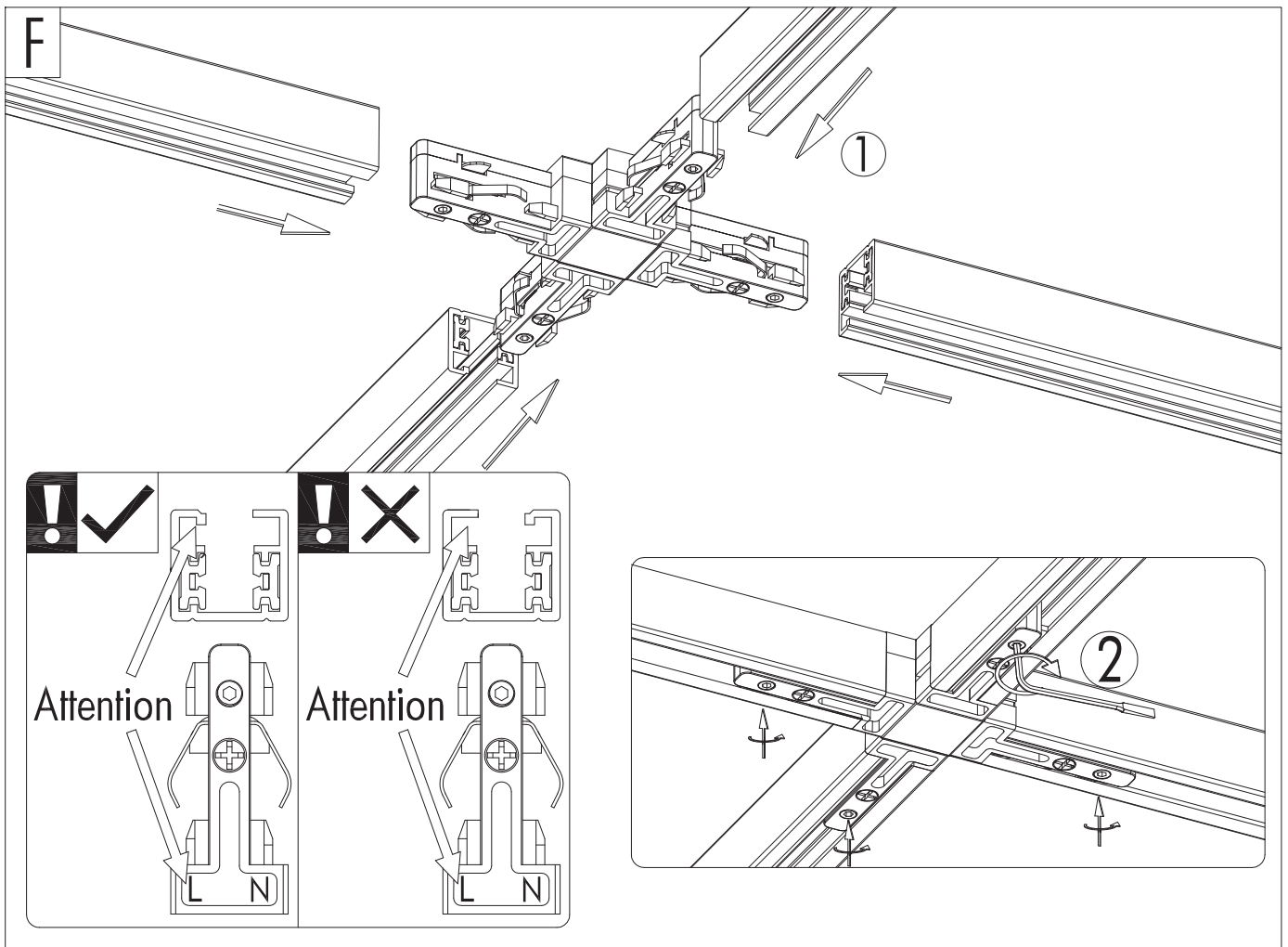
# MICROLINE INSTALLATION

## PARTS



## EXAMPLE LAYOUT





**TRACK ADAPTER**

**SPOT**

**PENDANT**

