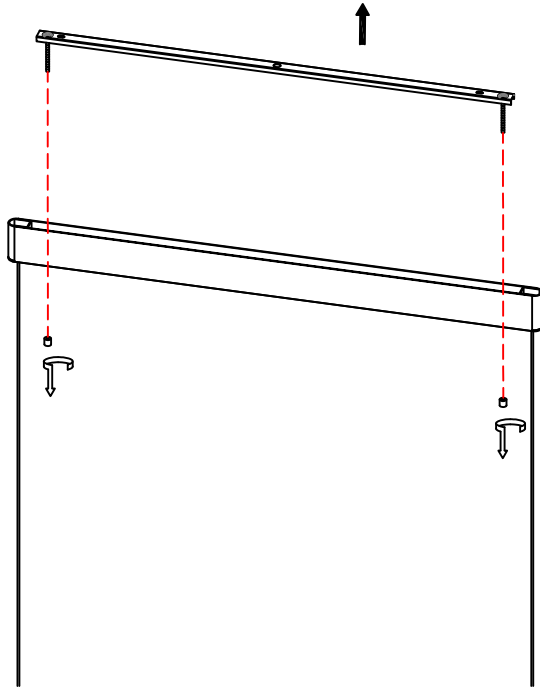
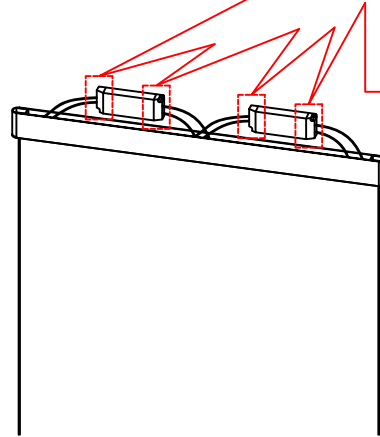


1. Loosen the knobs on the canopy and take out the bracket.



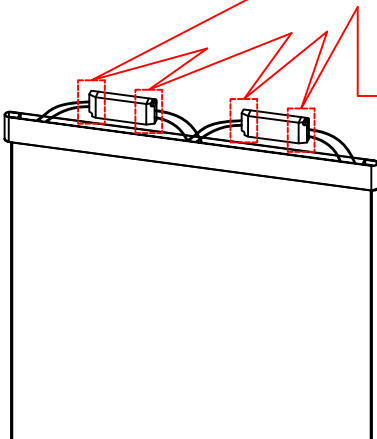
2. Take out the driver from the canopy
3. Disassemble the driver cover by screwdriver. Loosen the driver terminals and take out the wires



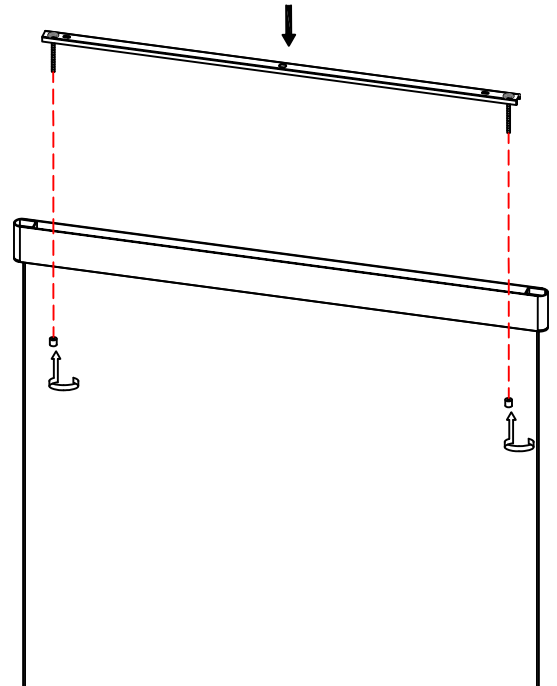
TOOL

TOOL Screwdriver

4. Change a new driver.
Connect the red & black wire to the driver(+,-).
Connect the brown & blue wire to the driver(L,N).



5. If there are no abnormalities when the light is on, put the driver back into the canopy and tighten the knobs.



TOOL Screwdriver

TOOL