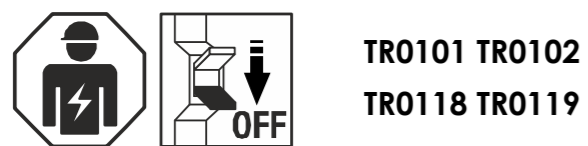
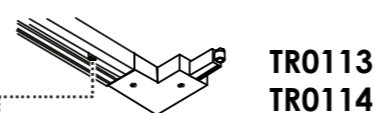
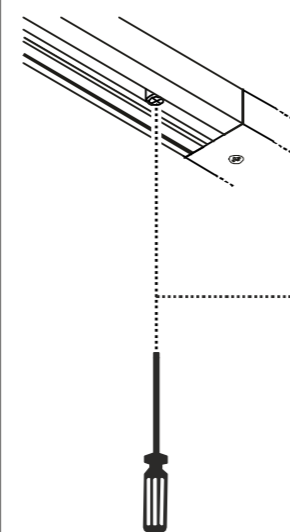
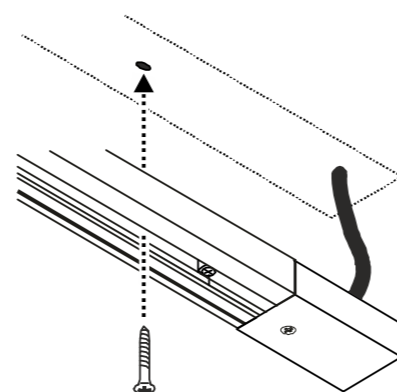
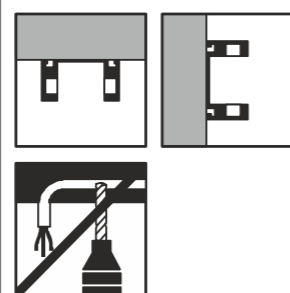
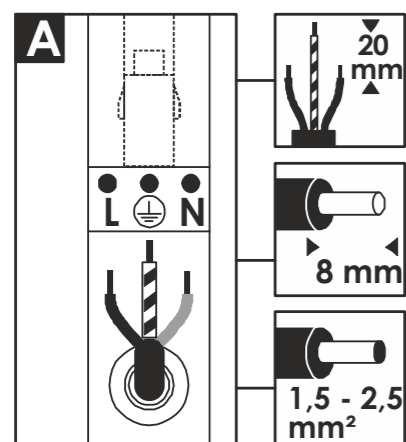
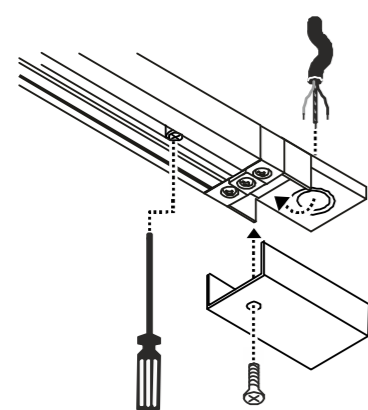
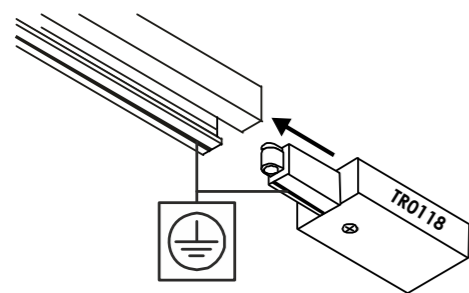


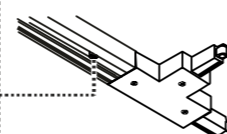
# TRACK INSTALLATION



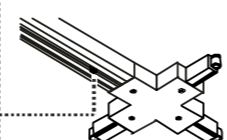
TR0101 TR0102  
TR0118 TR0119



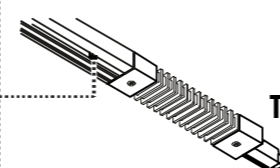
TR0113  
TR0114



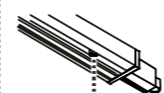
TR0115  
TR0116



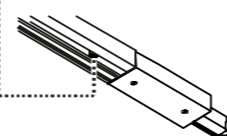
TR0117



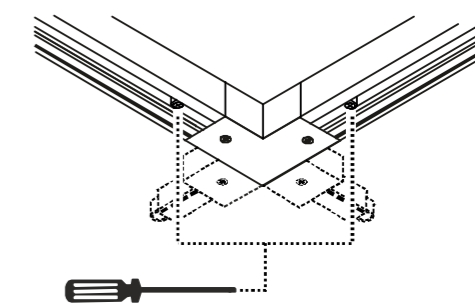
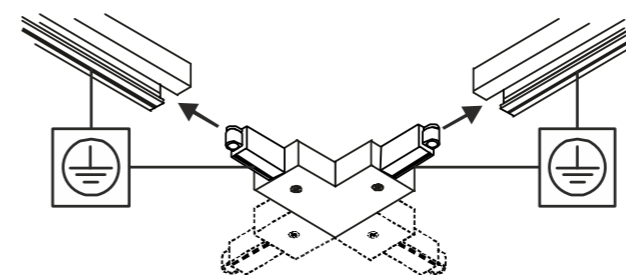
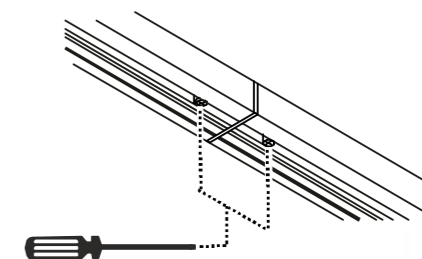
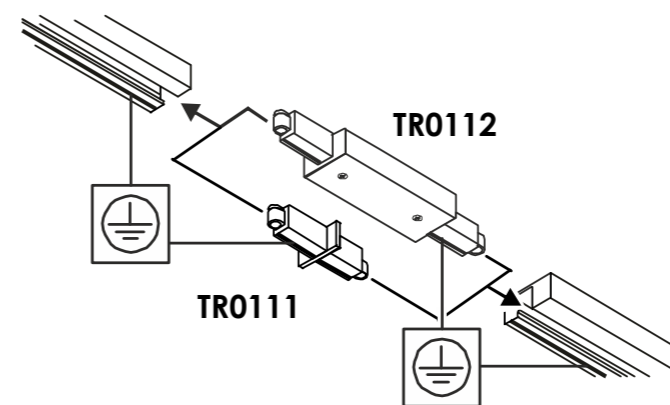
TR0125



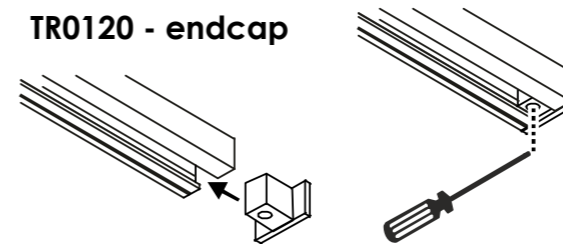
TR0111



TR0112



TR0120 - endcap



TR0214 - safety cover

